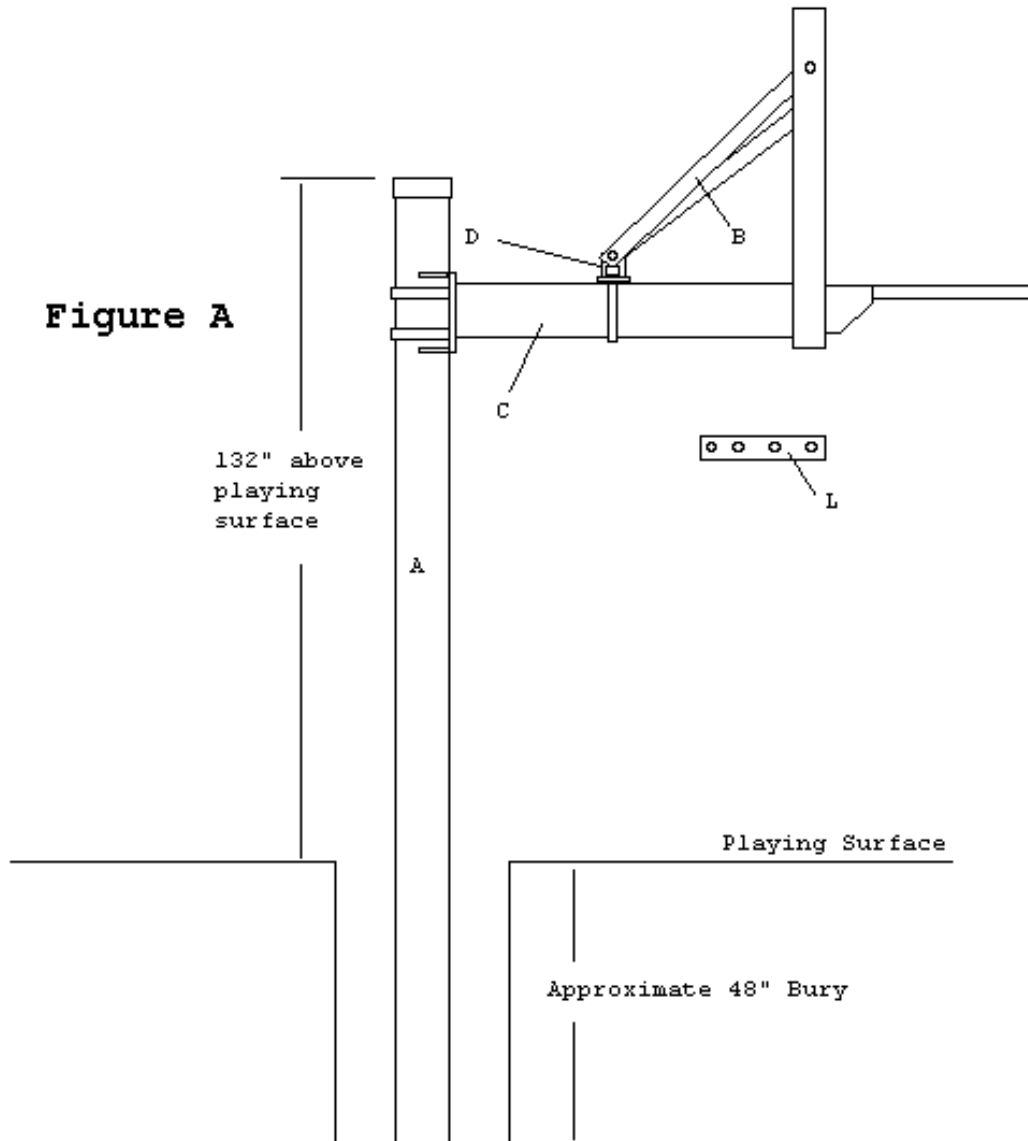


Renegade Series Assembly Instructions



Bill of Materials

A (1) Vertical Post

B (2) Backboard Brace

C (1) Horizontal Extension Arm

D (1) T-Clamp

E (3) 4 ½" U-Bolt

F (6) ½" Hex Nut

G (6) ½" Lockwasher

H (5) 3/8" x 1 ¼" Hex Bolt

I (4) 3/8" Flatwasher

J (3) 3/8" Lockwasher

K (3) 3/8" Hex Nut

L (1) Backboard Frame Support

NOTE: Immediately unpack all components and cross check against bill of materials.

1. Locate and dig an 18" minimum diameter x 48" deep hole.
2. Insert vertical pole into hole. Brace post in footing hole so that the top of the post measures 132" above the playing surface (see Figure A).
3. Mix and pour concrete into footing hole using (12) 80 lbs. bags of pre-mix concrete. Fill footing hole to top with concrete and crown for drainage. **Make sure post is straight and plumb.** Place post cap on top of post. STOP! Allow 48 hours minimum drying time before continuing assembly.
4. If you purchased a **Renegade Supreme** package (FT222 backboard 3 ½'x 6' clear acrylic) you must remove and discard the (4) steel grommets located at the rim holes in your backboard before proceeding.
5. Attach rim, backboard and extension arm together as shown in Figure B using the bolts provided with the rim. IMPORTANT! Bolt the end of the extension arm with the FLAT plate to the backboard and make certain the extension arm is positioned so the extension arm welded saddle at the opposite end will receive the vertical post. Note to **Renegade Supreme customers:** Because the holes in your 3 ½'x 6' clear acrylic backboard are oversized holes, it is EXTREMELY important that special care is take to perfectly center the extension arm flat plate over the rim holes so the backboard does not crack while tightening rim. If you purchased any acrylic backboard you should have received 2 rubber gaskets (provided with backboard). Place one rubber gasket between the extension arm flat plate and the backside of the board. The other gasket fits between the backplate of the rim and the face of the backboard. Additionally, if you purchased a FT215 or an FT220 acrylic backboard, bolt on the backboard frame support to the center four holes located at the top of your backboard frame using the 5/16" hardware provided with the backboard. Disregard the backboard frame support for all other backboards. To attach the backboard frame support you must first remove and discard the plastic shipping strap currently located at the backboard joint.
6. Loosely attach Rim/Backboard/Extension assembly at ground level using (2) ½"x 4 ½" U-Bolts, (4) ½" lockwashers, and (4) ½" hex nuts. Next, raise the entire Rim/Backboard/Extension assembly until rim is at desired playing height. Fasten extension arm to post by tightening the ½" U-Bolt hardware. Check both backboard and rim for level and make any necessary adjustments.
7. Loosely attach T-Clamp to extension arm using the 4 ½" U-Bolt, ½" lockwashers and ½" hex nuts provided. If you purchased a Renegade Max, Renegade Flight, or Renegade Dynasty package be sure to also attach the backboard braces to the T-Clamp using the same ½" hardware, you will not use the welded tab on the T-Clamp. Note: Attach backboard braces to welded tab on the T-Clamp for all other RuffNeck packages where attachment to sides of backboard is necessary. Use (1) 3/8"x 1 ¼" hex bolt, (2) 3/8" flatwasher, (1) 3/8" lockwasher and (1) 3/8" hex nut when attaching backboard braces to T-Clamp welded tab.
8. Attaching backboard braces to backboard: For Renegade Max, Renegade Flight and Renegade Dynasty packages use (2) 3/8" x 1 ¼" hex bolt, flatwashers, and lockwashers to attach backboard braces to the upper threaded connecting points on the backside of the backboard. For some backboards you will have to remove plastic plugs before attachment. For all other RuffNeck packages attach braces to either side of the board using the 3/8" hardware. Bend braces to fit as necessary.
9. Check entire unit to make sure all components are square. If necessary, the backboard level front to back can be adjusted by loosening the ½" U-Bolt. Simply slide the T-Clamp forward or backward along the extension arm to slightly adjust the pitch of the backboard.

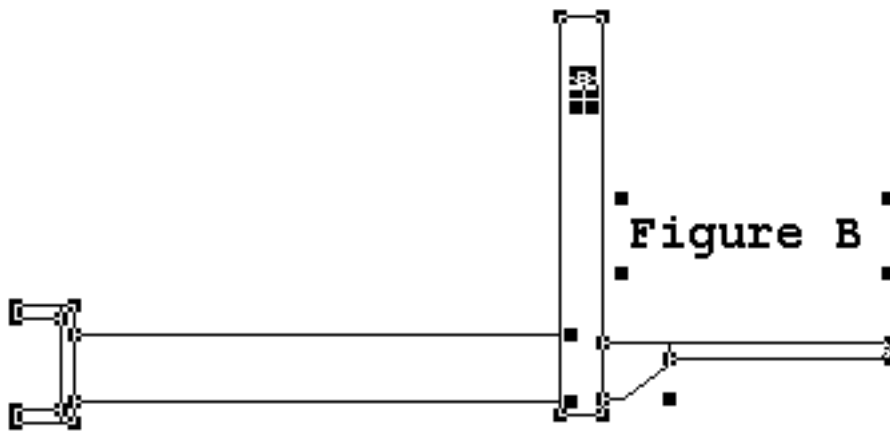


Figure B